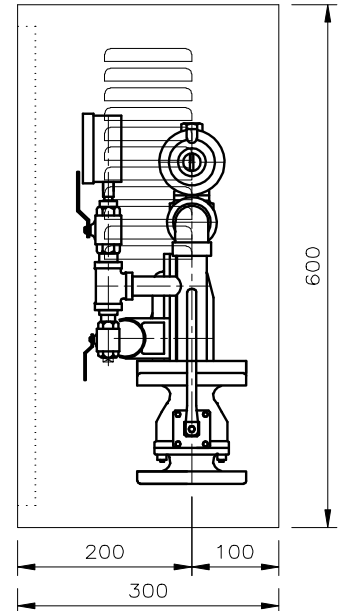
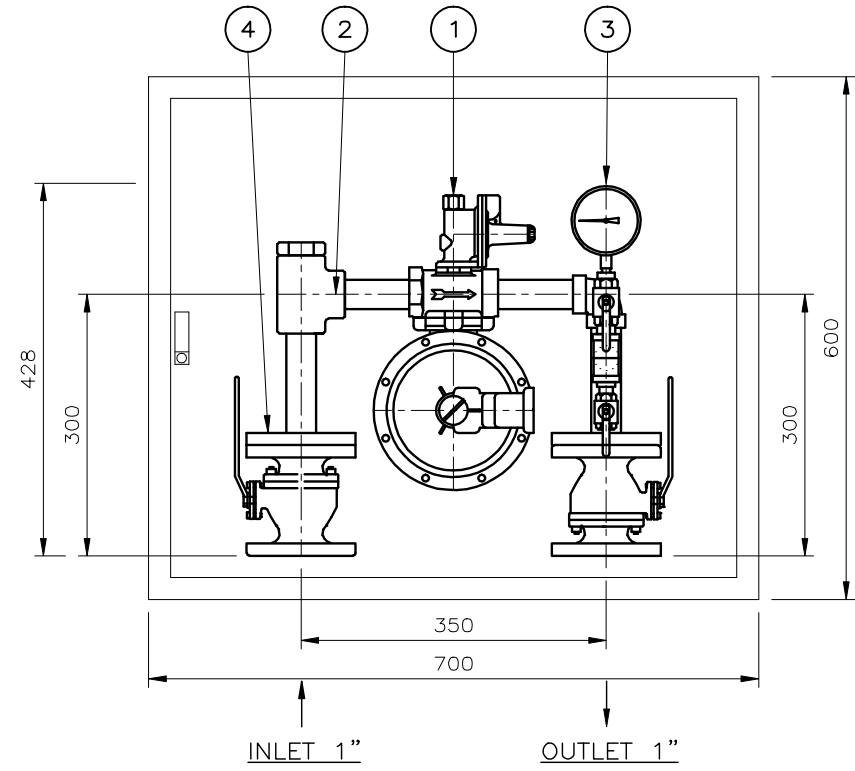


NO	DESCRIPTION	SIZE	Q'TY	REMARKS
1	1843B2 REGULATOR	1"	1	A. M. C
2	ANGLE FILTER	1"	1	SE JONG
3	PRESSURE GAUGE (0-10kPa)	Ø75	1	WOO JIN
4	BALL VALVE (1MPa)	1"	2	K. P. C

HOUSING  
 1.MAT'L : SUS 304 1.0t  
 2.SIZE : 700Lx300Wx600H  
 3.DOOR : 전면 (1개소)



DWG: K.S.K	PROJECT TITLE	대항도시가스				DATE	SCALE	P/SCALE	DWG NO.
DES:	DATE	REVISION	DWG	DES	CHK	2005.02.25	1/05	A-3	DH2005051
CHK:						TITLE	1843B2(S) HOUSE REGULATOR		
APPD:						<b>世宗에이앤씨株式会社</b> SJTONG-ANC CORPORATION			